

High Temp. Compact

# Tension/Compression Load Cell LUXT-A



CE

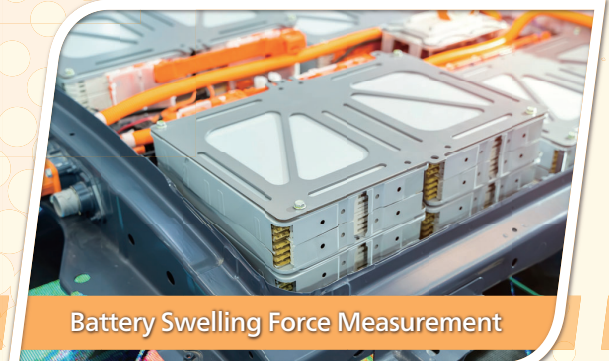
Can handle temperature of  
**195°C**  
Compensated Temperature

**Minimum Size**  
( $\phi 28 \times 34$  mm)  
Comparison with our products

## Application



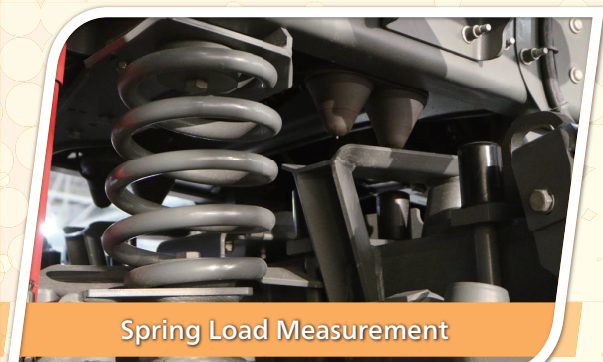
High-temperature Environment Testing



Battery Swelling Force Measurement



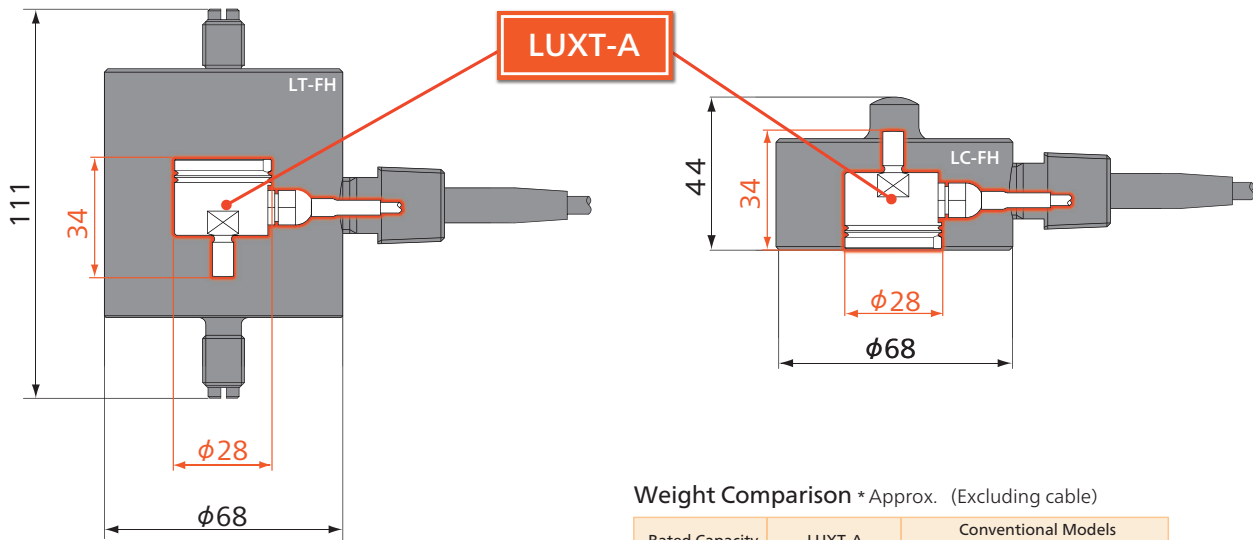
Tensile and compression Material Testing



Spring Load Measurement

## Size Comparison

Significant size and weight reduction compared to conventional models!



Weight Comparison \* Approx. (Excluding cable)

Rated Capacity	LUXT-A	Conventional Models	
		LT-FH	LC-FH
500 N	80 g	1.7 kg	800 g
1 kN			
2 kN			

## Main Specifications

Rated Capacity	±500 N, ±1 kN, ±2 kN
Nonlinearity	Within ±0.5% RO
Hysteresis	Within ±0.5% RO
Rated Output	1.0 mV/V ±20%
Compensated Temperature	0 to 195°C (Non-freezing or Non-condensing)
Safe Overloads	150%
Weight	Approx. 80 g (Excluding cable)

Standard Accessories Hexagon nut type3 materials SUS

Scan this for details



## KYOWA ELECTRONIC INSTRUMENTS CO., LTD.

Global Sales Division:  
3-5-1, Chofugaoka, Chofu, Tokyo 182-8520 Japan  
TEL: +81-42-489-7220 FAX: +81-42-488-1122  
E-mail: kyowaoverseas.hp@d1.kyowa-ei.co.jp  
Website: www.kyowa-ei.com

### Safety Precautions

- Be sure to observe the safety precautions given in the instruction manual, in order to ensure correct and safe operation.
- Do not use in locations subject to significant water, dampness, steam, dust, or flammable gases. Doing so may lead to fire, electrical shock, or malfunction.

- Specifications and designs are subject to change without notice.
- Please contact us if using the detailed products for special applications.
- Detailed company and product names are the trademarks or registered trademarks of their respective owners.
- The warranty details can be found on the "Product Warranty" attached to the product and on the following website.  
[www.kyowa-ei.com/eng/company/quality/warranty.html](http://www.kyowa-ei.com/eng/company/quality/warranty.html)
- Unauthorized use or reproduction of contents of this catalog are prohibited.



JQA-0821  
JQA-EM4824