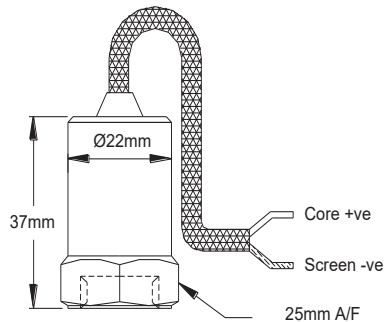


Top-entry, constant current accelerometer for vibration analysis at elevated temperatures. Made from robust stainless steel throughout for long term analysis in harsh environments and up to 250°C surface temperature; as the sensor head contains no electronics. An in-line charge amplifier connected with extra high-temperature cable (265°C) can be located 5 metres from the heat source where temperatures are 120°C or less. A further 5 metres (or longer) of overbraided cable connects to the junction box or data collector giving an output of 100mV/g. Available with a wide range of mountings.

MTN/1105C



Dimensions



Applications

- Paper Machinery
- Turbines
- High Temperature

Technical

Sensitivity	50 pC/g (equates to 100mV/g after charge amplifier)
Capacitance	470 pF nominal
Frequency Response	2Hz to 10kHz +/-5% (-3 dB at 0.8 Hz)
Mounted Base Resonance	18 KHz (nominal)
Isolation	Base Isolated
Transverse Sensitivity	Less than 5%
Temperature Range	-55 to 250 °C
Cable	5 metres low noise o/b cable (20 metres max between accelerometer & charge amplifier)
Case Material	Stainless steel
Mounting Torque	8 Nm
Weight	100 gms (nominal)
Sealing	IP67
Charge Amplifier	Order MTN/CA003 & MTN/CA096 SMC to fit to connector version or add E to order code for integral charge amp
Bias Voltage	12 Volts DC (nominal)
Noise Floor	1 mg
Dynamic Range	-+/-50 g (+/-5 Volts AC)
Temperature Range	-25 to 125°C
Input/Output	SMC Connector, BNC or Integral cable

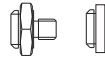
Mounting Adaptors and Studs

Studs and Grub Screws



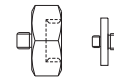
Part #	From	To
MS036	¼"-28 UNF Male	M6 Male
MS039	¼"-28 UNF Male	10-32 UNF Male
MS067	¼"-28 UNF Male	M8 Male
MS068	¼"-28 UNF Male	¼"-28 UNF Male
MS124	¼"-28 UNF Male	M10 Male
MS132	¼"-28 UNF Male	M12 Male

Quick Fit Adaptors



Part #	From	To
MS001	Q/F Male	Glue base
MS002	Q/F Male	M8 Male
MS003	Q/F Male	M10 Male
MS004	Q/F Male	¼"-28 UNF Male
MS006	Q/F Male	M6 Male

Other Adaptors



Part #	From	To
MS005	Q/F Male	¼"-28 UNF Female
MS007	Q/F Male	10-32 UNF Female
MS008	Q/F Male	M8 Female
MS011	¼"-28 UNF Male	Q/F Female
MS013	¼"-28 UNF Male	Glue base
MS033	¼"-28 UNF Male	Q/F Female
MS038	Q/F Male	M8 Conical Male
MS061	¼"-28 UNF Male	10-32 UNF Male
MS079	¼"-28 UNF Male	Q/F Female
MS106	Q/F Male	M10 Female

Isolation Adaptors

Part #	From	To
MS034	¼"-28 UNF Male	¼"-28 UNF Female
MS093	Q/F Male	M8 Male

Order Code Part No	Mounting
MTN/1105C	¼" UNF Female
MTN/1105CQ	Quick Fit Female

System Connection

