



4-138

Vibration Transducer



Applications

- Industrial Turbines
- Turbine-Driven Machinery
- Power Generators
- Gas Pumping Systems

Features

- Friction-free design for long life
- Self-generated, high level, low impedance output
- Operates to +700°F

Velocity Sensors

Description

The friction-free moving elements in CEC's 4-138 Vibration Transducers assure long life and reliability. Designed for industrial applications on fixed turbines, you can use this instrument in turbine hot sections where high temperatures cause problems with other transducers. The system is simplified due to the low impedance, high level output that can drive AC meters, recorders, and control electronics without using special amplifiers.

The frictionless design also allows measurement of extremely low vibration levels, critical when monitoring precision balanced turbine systems. The low level is limited only by system noise.

The 4-138 is a seismic mass type velocity transducer designed for measuring vertical vibrations at low frequencies and high temperatures up to +700°F (+371°C). The output signal results from relative movement between the internal coil and magnet when the case vibrates. This magnetic damped system operates above its natural frequency. The self-generated sensor output is proportional to velocity.



4-138 Vibration Transducer

Performance Specifications

Sensitivity:	(ref. Table 1) measured at 80 Hz and +77°F (+25°C) ±4% at 1.0 in/sec (ips) peak, load impedance is 100,000 Ω ±2%
Dynamic Range	
Frequency:	15 Hz to 2000 Hz
Amplitude:	0.07 inch peak-to-peak, maximum
Acceleration:	0.02 g to 50 g
Acceleration Threshold:	0.01 g peak
Linearity:	±3% along straight line between 0.1 & 1.0 ips peak at 80 Hz & 77°F
Temperature Range:	-65°F to +700°F (-54°C to +371°C)
Thermal Coefficient of Sensitivity:	< ±0.02%/°F
Sensitivity Shift with Position:	10% maximum
Damped Resonant Frequency:	< 15 Hz
Excitation:	Self-generating
Insulation Resistance:	> 10 megaohms at +77°F > 0.5 megaohms at +700°F
Polarity:	Pin 1 is positive when the case is moved upward
Shock:	50 g's peak in sensitive axis, 2 g's peak in cross axis
Weight:	7.0 to 7.5 oz.
Cross Axis:	< ±5% of specified sensitivity
Environmental Sealing:	Welded Hermetic

Approvals

North American:
Intrinsically Safe Class I, Division 1, Groups A, B, C & D
Hazardous Locations (without barrier)
Class I, Division 2, Groups A, B, C, & D

European:
EEx ia IIB or IIC T1...T6
EExnA II T1...T6 X

Optional Accessories

1. Cable and connector assembly, like P/N 169500-XXXX (length is identified in inches; e.g.: 60-inch cable is P/N 169500-0060)
 Note: Contact CEC for optional cable assemblies.
2. Mating connector P/N 173960

Ordering Information

When ordering, specify Type 4-138-XXXX (See Table below). In keeping with CEC's policy of continuing product improvement, specifications may be changed without notice.

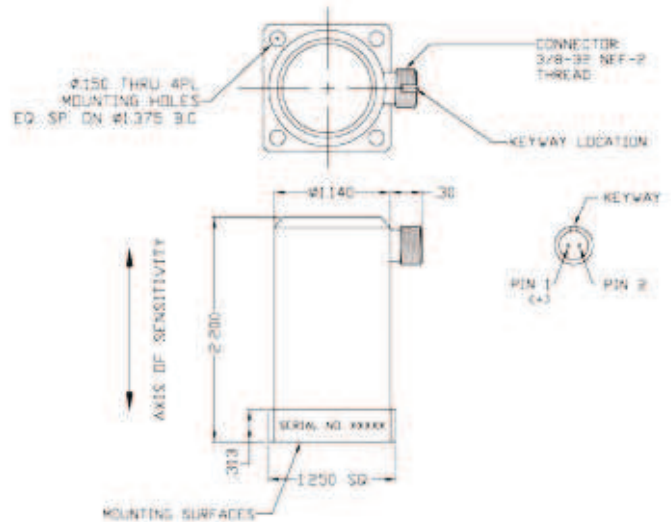
Table 1

Part Number	* Cable Length	Output Sensitivity
4-138-0001		135 mV/ips, Peak
4-138-0002		145 mV/ips, Peak
4-138-0003		150 mV/ips, Peak
4-138-0004		200 mV/ips, Peak
4-138-1001	-XXX	135 mV/ips, Peak
4-138-1002	-XXX	145 mV/ips, Peak
4-138-1003	-XXX	150 mV/ips, Peak
4-138-1004	-XXX	200 mV/ips, Peak

Table 2

*Standard Cable Lengths available:

-010	10 ft. (3 m)
-015	15 ft.
-017	17 ft. (5 m)
-020	20 ft.
-030	30 ft.
-033	33 ft. (10 m)
-044	40 ft.
-050	50 ft.



CEC Vibration Products • 746 Arrow Grand Circle • Covina, California 91722 • USA
(626) 938-0200 • (800) 468-1345 • Fax: (626) 938-0202 www.cecvp.com



www.instrumentation.it

INSTRUMENTATION DEVICES SRL

Via Acquanera 29, 22100 COMO (Italy) tel. +39.031.525391 - fax +39.031.507984 - info@instrumentation.it