

Inductive (spring-loaded) Probe

Half-bridge type
WT / WTA

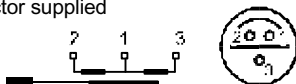
MESSOTRON



axial connector (LX)

mating connector supplied

connection:



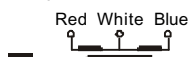
axial cable (K)

PE-cable 2,5m long

optional:

oil-resistant and high-temperature PTFE cable

connection:

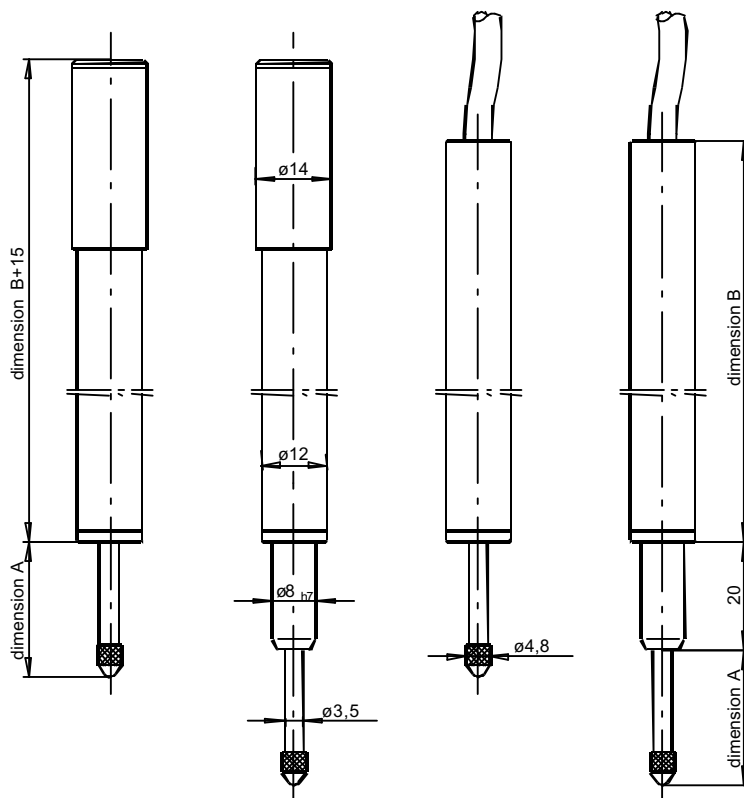


mechanical versions:

WT standard

WTA shank $\varnothing 8 \times 20$

Customised dimension A available on request



Example for ordering:

WT 10 LX 0,5%

WTA 10 LX 0,25%

WT 5 K 0,1%

WTA 5 K 0,5% 120°C

		WT / WTA 5	WT / WTA 10	WT / WTA 20	WT / WTA 50	WT / WTA 100
Nominal stroke	mm	$\pm 2,5$	± 5	± 10	± 25	± 50
Maximum stroke	mm	$\pm 3,5$	± 6	± 11	± 26	± 52
Dimension A **)	mm	12	15	20	35	65
Dimension B **)	mm	82	135	167	245	405
Spring force at zero (approx.) **)	N	0,14	0,2	0,3	0,3	0,6
Spring constant (approx.) **)	cN/mm	2	2	2	1	1
Transducer weight (approx.)	g	50	80	90	130	200
Core weight (approx.)	g	6	12	15	18	28
Nominal output signal	mV/V	120	100	150	225	300
Sensitivity (approx.)	mV/V/mm	48	20	15	9	6
Excitation voltage	V eff	up to 5				
Excitation frequency	kHz	5 ... 10				
Linearity *)		0,5% of F.S.O. Option 0,25% and 0,1%				
Temperature coefficient of zero		$\pm 0,02\%$ / 10K				
Temperature coefficient of span		$\pm 0,05\%$ / 10K				
Operating temperature *)		-50°C ... +80°C Option: up to 120°C				
Protection class (DIN 40050)		IP 54				

*) select option for ordering

**) preliminary; increased spring force version available as an option

	WT / WTA series Connector / cable interface 5 ... 100 mm	Data sheet 11.11.02 Page 1
		Previous issue 11.11.01 Status 07/03

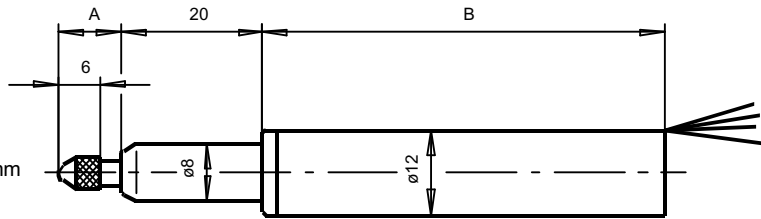
Inductive (spring-loaded) Probe

Half-bridge type
WT / WTA

MESSOTRON

axial leads

oil-resistant and high-temperature PTFE leads, 250 mm



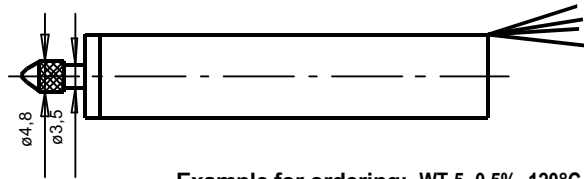
connection: connection:

Example for ordering: WTA 5 0,25%

mechanical options:

WT standard
WTA shank ø8 x 20

Customised dimension A available on request



Example for ordering: WT 5 0,5% 120°C

		WT / WTA 2	WT / WTA 5
Nominal stroke	mm	±1	±2,5
Maximum stroke	mm	±1,6	±3,5
Dimension A **)	mm	8	12
Dimension B **)	mm	55	62
Spring force at zero (approx.) **)	N	0,14	0,14
Spring constant (approx.) **)	cN/mm	2	2
Transducer weight (approx.)	g	30	40
Core weight (approx.)	g	5	6
Nominal output signal	mV/V	48	120
Sensitivity (approx.)	mV/V/mm	48	48
Excitation voltage	V eff	up to 5	
Excitation frequency	kHz	5 ... 10	
Linearity *)		0,5% of F.S.O. Option 0,25% and 0,1%	
Temperature coefficient of zero		±0,02% / 10K	
Temperature coefficient of span		±0,05% / 10K	
Operating temperature *)		-50°C ... +80°C Option: up to 120°C	
Protection class (DIN 40050)		IP 54	

*) select option for ordering

**) preliminary; increased spring force version available as an option

	WT / WTA series Leads interface 2 ... 5 mm	Data sheet 11.11.02 Page 2
		Previous issue 11.11.01 Status 07/03

Custom design versions available on request

Subject to change without prior notice



www.instrumentation.it

Via Acquanera 29, 22100 COMO (Italy) tel. +39.031.525391 - fax +39.031.507984 - info@instrumentation.it

INSTRUMENTATION DEVICES SRL