



Inductive spring-loaded Transducer

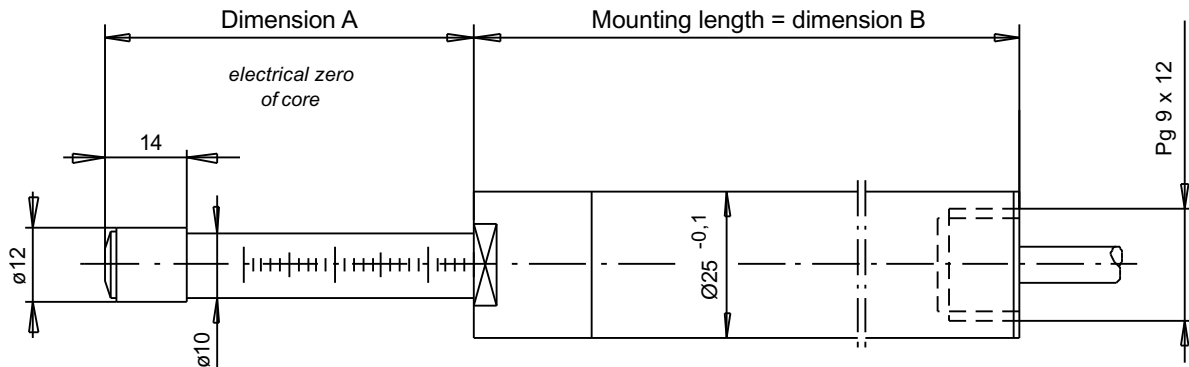
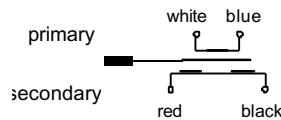
robust industrial version

DTC

MESSOTRON

Cable interface

Teflon cable 5 m long



		DTC 20	DTC 40	DTC 50	DTC 100
Nominal stroke	mm	±10	±20	±25	±50
Dimension A	mm	30	40	45	70
Dimension B	mm	195	255	265	435
Dimension B	N	7.0	8.3	8.3	9.4
Spring constant (approx.)	N/mm	0.33	0.15	0.13	0.08
Transducer weight (approx.)	g	500	630	650	950
Core weight (approx.)	g	55	76	80	120
Stroke scale marking on probe rod		x		x	
Nominal output signal	mV/V	80	80	80	80
Sensitivity (approx.)	mV/V/mm	8	4	3.2	1.6
Excitation voltage	Veff	1 ... 5			
Excitation frequency *)		5 kHz option: 10 kHz			
Linearity *)		0.4% F.S.O. option 0.2%			
Temperature coefficient of zero		±0.1%/10K			
Temperature coefficient of span		±0.15%/10K			
Operating temperature		-50°C ... 120°C			
Protection class (DIN 40050)		IP 54			

*) select option when ordering

	DTC series 20 ... 100 mm	Data Sheet 27.12.01
		Date 06/97