

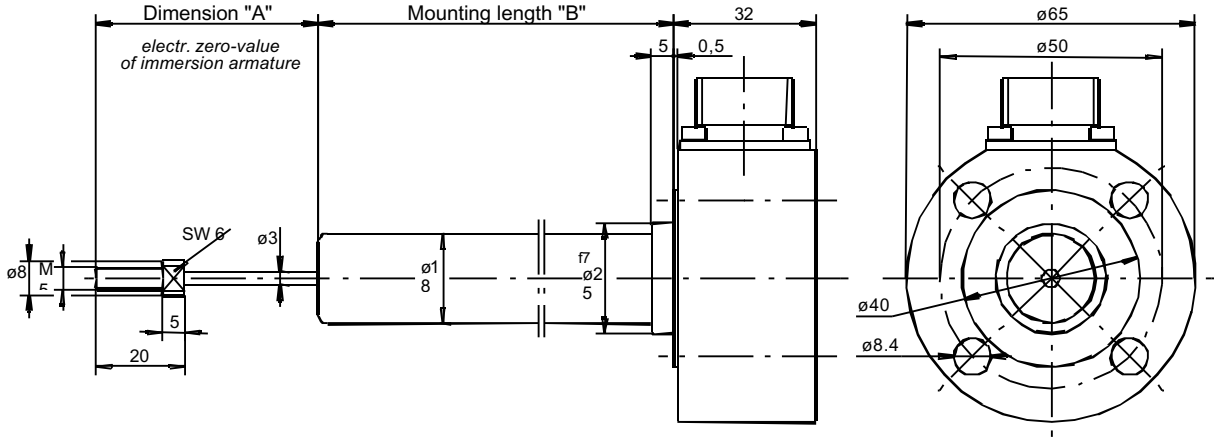


## Inductive Bulb Transducer

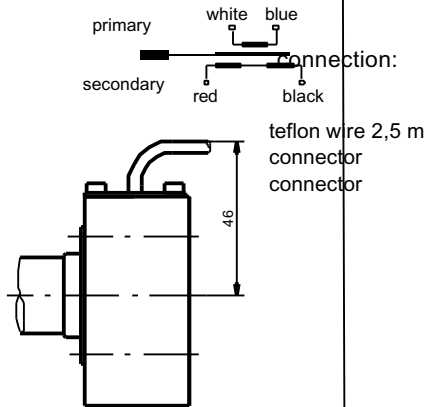
for cylinder mounting in hydraulics and pneumatics

**DPU** (pressure proof up to 200 bar)

**MESSOTRON**

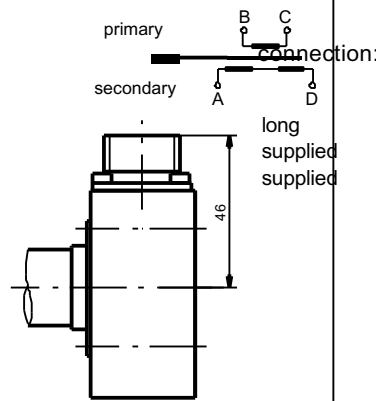


### radial wire interface



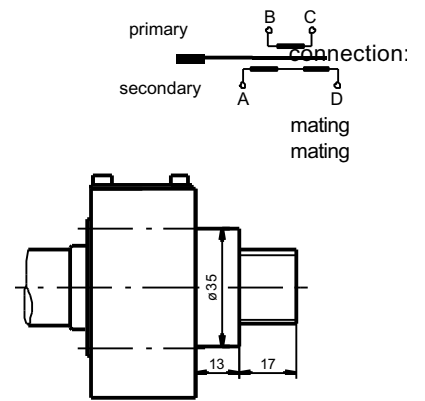
Example: DPU 100 Q 0,5%

### radial connector interface



Example: DPU 100 R 0,25%

### axial connector interface



Example:

		DPU 25	DPU 50	DPU 100	DPU 150	DPU 200	DPU 250	DPU 300
Electrical stroke	mm	±12,5	±25	±50	±75	±100	±125	±150
Max. mechanical stroke	mm	30	55	105	160	210	260	320
Dimension A	mm	40	55	80	105	130	155	180
Mounting length B	mm	60	100	140	220	300	380	480
Transducer weight	g	950	1000	1050	1150	1300	1400	1550
Plunger weight	g	12	14	16	20	25	28	30
Excitation frequency *)		5 kHz option: 10 kHz						
Output signal (5 kHz) (approx.)	mV/V	100	110	140	125	130	135	140
Output signal (10 kHz) (approx.)	mV/V	100	100	135	140	140	160	210
Excitation voltage		1 ... 5 Veff						
Recommended amplifier		MBI 46.31						
Linearity *)		±0.5% F.S.O. option: ±0.25%						
Temperature coefficient of zero		±0.04% / 10K						
Temperature coefficient of span		±0.1% / 10K						
Pressure resistance		Operating pressure 200 bar; test pressure 300 bar						
Operational temperature *)		-40°C ... +80°C, option: up to 120°C						
Protection class (DIN 40050)		IP 65						

\*) select option when ordering

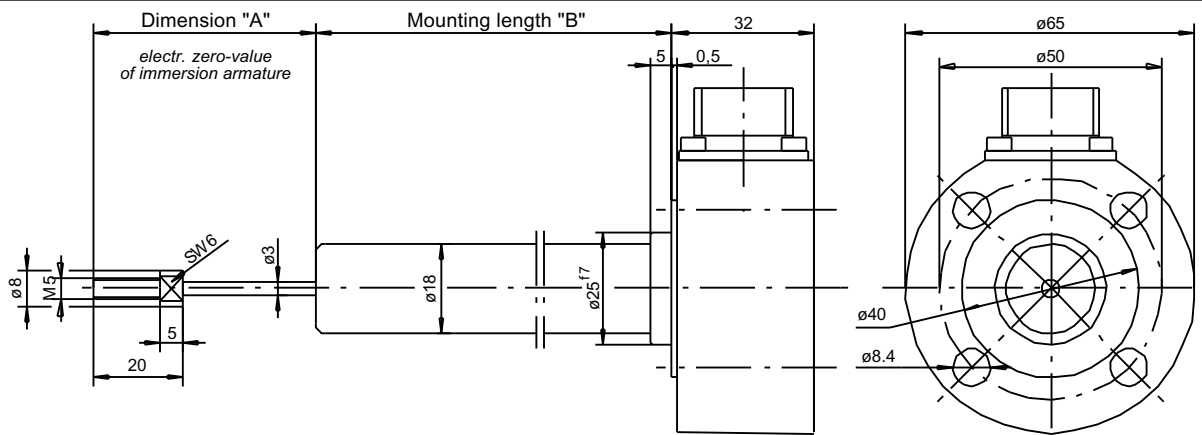
	<b>DPU Series</b> <b>25 ... 1000 mm</b>	Drawing <b>28.25.03</b> Page 1
		Stand 03/94 Previous issue 28.25.01/02

# Inductive Bulb Transducer

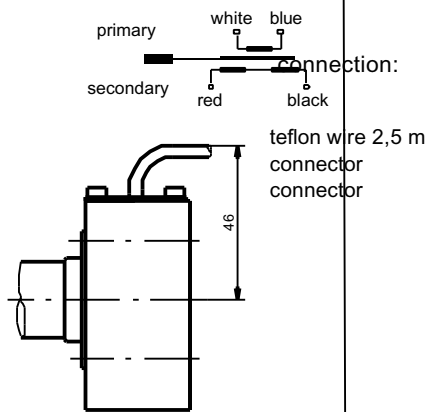
for cylinder mounting in hydraulics and pneumatics

**DPU** (pressure proof up to 200 bar)

**MESSOTRON**

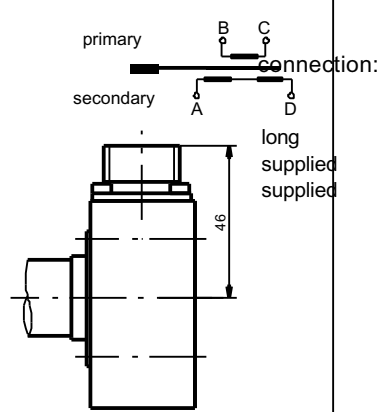


### radial wire interface



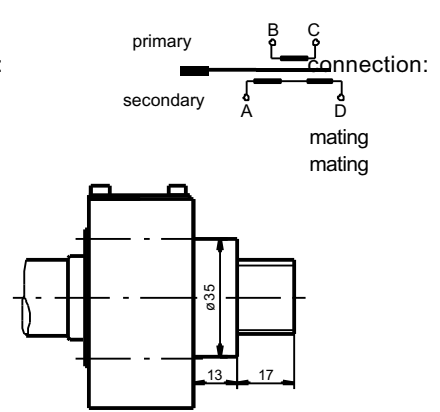
Example: DPU 400 Q 0,5%

### radial connector interface



Example: DPU 400 R 0,25%

### axial connector interface



Example: DPU 4

		DPU 400	DPU 500	DPU 600	DPU 800	DPU 1000
Electrical stroke	mm	±200	±250	±300	±400	±500
Max. mechanical stroke	mm	420	520	630	830	1030
Dimension A	mm	230	280	340	440	540
Mounting length B	mm	600	730	860	1120	1400
Transducer weight	g	1750	1900	2100	2500	2900
Plunger weight	g	35	40	50	65	80
Excitation frequency *)		5 kHz option: 10 kHz		5 kHz		
Output signal (5 kHz) (approx.)	mV/V	150	160	175	175	175
Output signal (10 kHz) (approx.)	mV/V	210	250	---	---	---
Excitation voltage		1 ... 5 Veff				
Recommended amplifier		MBI 46.31				
Linearity *)		±0.5% F.S.O. option: ±0.25%				
Temperature coefficient of zero		±0.04% / 10K				
Temperature coefficient of span		±0.1% / 10K				
Pressure resistance		operating pressure 200 bar; test pressure 300 bar				
Operational temperature *)		-40°C ... +80°C, option: up to 120°C				
Protection class (DIN 40050)		IP 65				

\*) select option when ordering

<p><b>DPU Series</b> <b>25 ... 1000 mm</b></p>	<p>Drawing <b>28.25.03</b> Page 2</p>
	<p>Date 03/94 Previous issue 28.25.01/02</p>

Design of transducers can be customised

subject to change without prior notice



[www.instrumentation.it](http://www.instrumentation.it)

Via Acquanera 29, 22100 COMO (Italy) tel. +39.031.525391 - fax +39.031.507984 - info@instrumentation.it

**INSTRUMENTATION DEVICES SRL**