

# MKS 231 E

## 1/2" Microphone Capsule

for random incidence sound field

- WS2D acc. IEC 61094-4
- random incidence
- 3.5 Hz to 16 kHz
- 15 dBA to 149 dB
- prepolarized



The 1/2" microphone capsule MKS 231 E has a random incidence response and is therefore optimized for correct measurements in diffuse and reverberant sound fields or in acoustic couplers.

The equalization of the static air pressure is by means of a capillary to the preamplifier (rear-vented). The microphone capsule is suitable for sound level meters of Type 1 acc. IEC 61672.

### Delivery

|   |           |        |
|---|-----------|--------|
| Microphone capsule, stainless steel<br>in wooden case 90 mm x 90 mm x 40 mm | MKS 231 E | 311148 |
|---|-----------|--------|

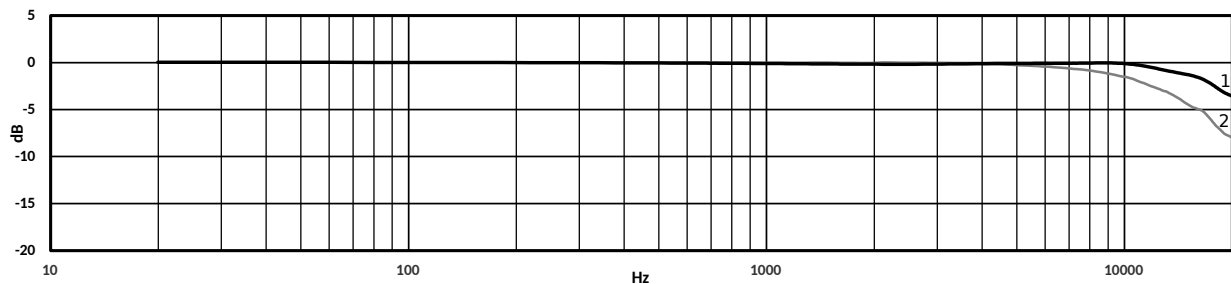
### Options and Accessories

|  |                    |        |
|--|--------------------|--------|
| Electrostatic actuator instead of standard protection grid | EA 2               | 302365 |
| Adapter for 1/2" microphone capsules to 1/4" preamplifiers | A 69               | 302304 |
| Angle adapter 1/2"   | WA 20              | 302334 |
| Dehumidifier adapter 1/2"                                  | TA 202             | 302314 |
| Windscreen   | W 2                | 302329 |
| Accredited calibration                                     | MM-PK-LD Pistonfon | 450003 |

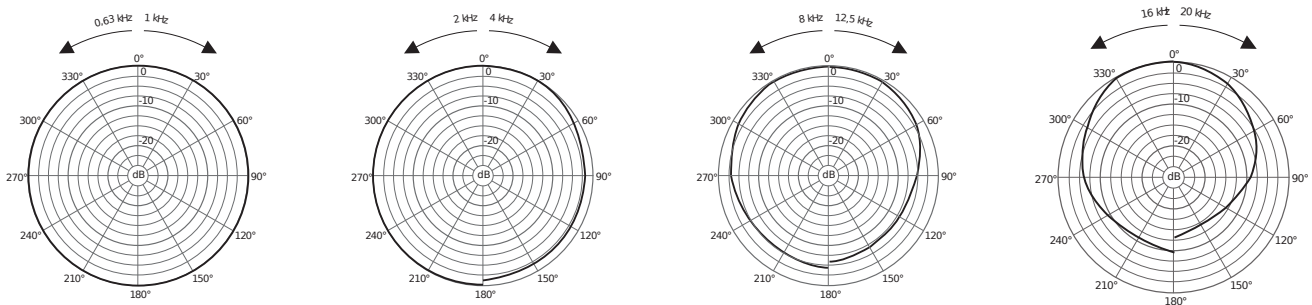
# Technical Specifications



|                                   |                           |                                |
|-----------------------------------|---------------------------|--------------------------------|
| Transducer type                   |                           | Capacitive pressure transducer |
| Frequency range random incidence  | $\pm 2.0$ dB              | 3.5 Hz to 16 kHz               |
| Frequency range pressure response | $\pm 1.0$ dB              | 10 Hz to 8 kHz                 |
| Open-circuit sensitivity          |                           | 50 mV/Pa                       |
| Open-circuit sensitivity          | re 1 V/Pa                 | -26 dB -2.5 dB                 |
| Max. SPL for 3% THD at 1 kHz      | Peak, with MV 204 @ 120 V | 149 dB                         |
|                                   | RMS, with MV 204 @ 120 V  | 146 dB                         |
| Inherent noise                    | with MV 204               | 15 dBA                         |
| Polarization voltage              |                           | 0 V                            |
| Capacitance at 1 kHz              |                           | 16 pF                          |
| Temperature range, operation      |                           | -40 °C to +85 °C               |
| Temperature coefficient           |                           | $\leq 0.01$ dB/K               |
| Static pressure coefficient       |                           | -0.00001 dB/Pa                 |
| Diameter                          | without protection grid   | 12.7 mm $\pm$ 0.05 mm          |
|                                   | with protection grid      | 13.2 mm $\pm$ 0.05 mm          |
| Length                            |                           | 16.4 mm                        |
| Weight                            |                           | 7.5 g                          |
| Preamplifier thread               |                           | 11.7 mm 60 UNS                 |
| Protection grid thread            |                           | 12.7 mm 60 UNS                 |



Typical frequency response: 1 random incidence, 2 pressure response



Microtech Gefell GmbH · Georg-Neumann-Platz · 07926 Gefell · Germany

Phone +49 (0)36649 882-0 · Fax +49 (0)36649 882-11 · [www.microtechgefell.de](http://www.microtechgefell.de) · [info@microtechgefell.de](mailto:info@microtechgefell.de)