



## MK 341 E

### 1/4" measurement microphone capsule

with constant pressure response

- WS3P acc. IEC 61094-4
- pressure
- 3.5 Hz to 70 kHz
- 48 dBA to 173 dB
- pre-polarized



The 1/4" microphone capsule MK 341 E has a constant pressure response and is therefore optimized for correct acoustic measurements on boundary layers or in acoustic couplers with extreme sound pressure levels.

The equalization of the static air pressure is by means of a capillary to the preamplifier (rear-vented) or by means of a lateral capillary (side-vented). The diaphragm is protected against mechanical damage by a protection grid.

#### Delivery

Microphone capsule, nickel, rear-vented in wooden case 127 mm x 87 mm x 55 mm	MK 341 E rear	311156
Microphone capsule, nickel, side-vented in wooden case 127 mm x 87 mm x 55 mm	MK 341 E side	311157

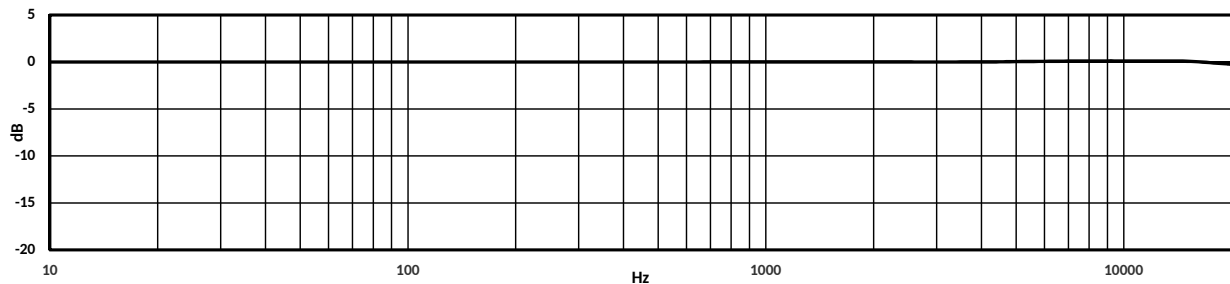
#### Options and Accessories

Adapter for 1/4" microphone capsules to 1/2" preamplifiers	A 67	302305
Angle adapter 1/4"	WA 30	302312
Windscreen	W 3	302330
Accredited calibration	MM-PK-LD Pistonfon	450003

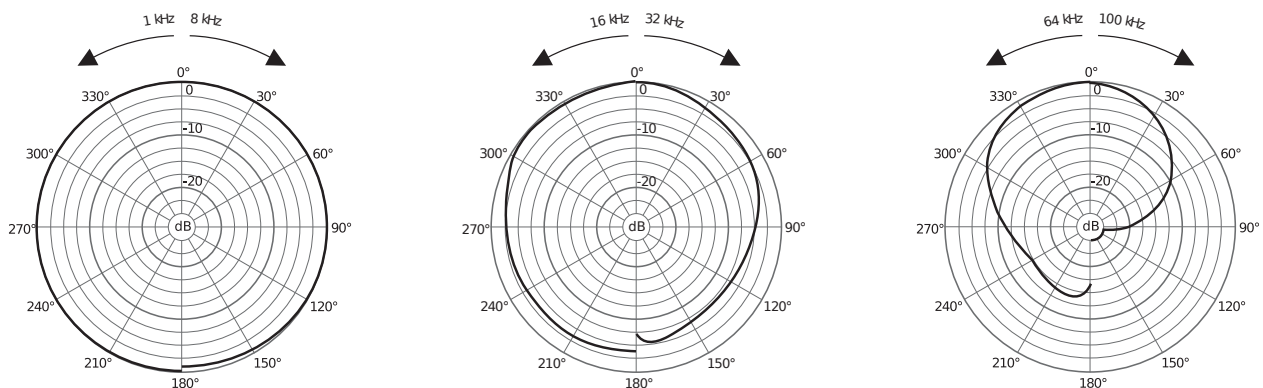
# Technical Specifications



Transducer type		Capacitive pressure transducer
Frequency range	±3 dB	3.5 Hz to 70 kHz
pressure response	±2 dB	5 Hz to 50 kHz
	±1 dB	20 Hz to 20 kHz
Sensitivity		1.4 mV/Pa
Sensitivity	re 1 V/Pa	-57 dB ±2.5 dB
Max. SPL for	Peak, with MV 310	173 dB
3% THD at 1 kHz	RMS, with MV 310	170 dB
Inherent noise	with MV 310	48 dBA
Polarization voltage		pre-polarized
Capacitance at 1 kHz		4.5 pF
Temperature range, operation		-50 °C to +100 °C
Temperature range, storage		-50 °C to +80 °C
Main ambient temperature coefficient		≤0.01 dB/K
Main ambient pressure coefficient		-0.00001 dB/Pa
Diameter	without protection grid	6.35 mm ± 0.02 mm
	with protection grid	7.00 mm ± 0.02 mm
Length		9.7 mm
Weight		2 g
Preamplifier thread		5.7 mm 60 UNS
Protection grid thread		6.35 mm 60 UNS



typical pressure frequency response



Microtech Gefell GmbH · Georg-Neumann-Platz · 07926 Gefell · Germany

Phone +49 (0)36649 882-0 · Fax +49 (0)36649 882-11 · [www.microtechgefell.de](http://www.microtechgefell.de) · [info@microtechgefell.de](mailto:info@microtechgefell.de)