

MK 231

1/2" Microphone Capsule

for random incidence sound field

- WS2D acc. IEC 61094-4
- random incidence
- 3,5 Hz to 16 kHz
- 15 dBA to 149 dB
- 200 V polarization



The 1/2" microphone capsule MK 231 has a random incidence response and is therefore optimized for correct measurements in diffuse and reverberant sound fields or in acoustic couplers.

The equalization of the static air pressure is by means of a capillary to the preamplifier (rear-vented). The microphone capsule is suitable for sound level meters of Type 1 acc. IEC 61672.

Delivery

Microphone capsule, nickel in wooden case 90 mm x 90 mm x 40 mm	MK 231	311106
--------------------------------------------------------------------	--------	--------

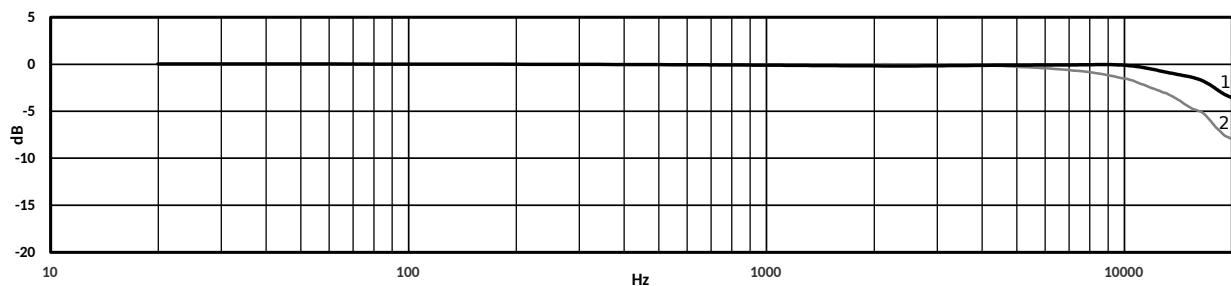
Options and Accessories

Electrostatic actuator instead of standard protection grid	EA 2	302365
Adapter for 1/2" microphone capsules to 1/4" preamplifiers	A 69	302304
Angle adapter 1/2"	WA 20	302334
Dehumidifier adapter 1/2"	TA 202	302314
Windscreen	W 2	302329
Accredited calibration	MM-PK-LD Pistonfon	450003

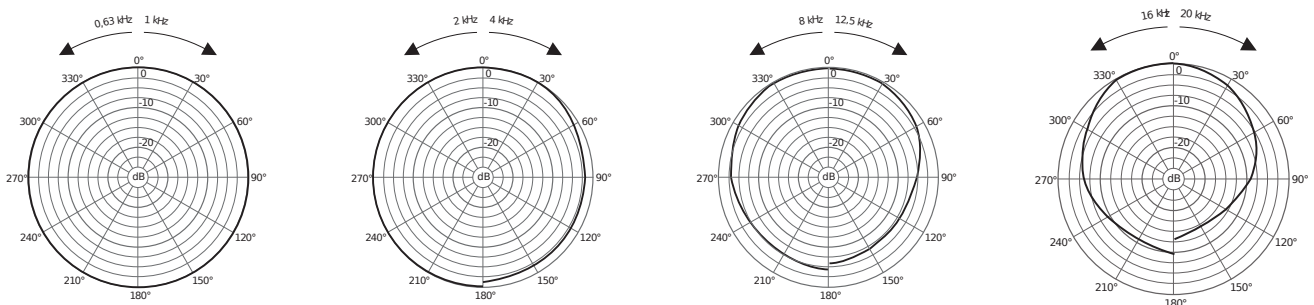
Technical Specifications



Transducer type		Capacitive pressure transducer
Frequency range random incidence	± 2.0 dB	3.5 Hz to 16 kHz
Frequency range pressure response	± 1.0 dB	10 Hz to 8 kHz
Open-circuit sensitivity		50 mV/Pa
Open-circuit sensitivity	re 1 V/Pa	-26 dB ± 2.5 dB
Max. SPL for 3% THD at 1 kHz	Peak, with MV 203 @ 120 V	149 dB
	RMS, with MV 203 @ 120 V	146 dB
Inherent noise	with MV 203	15 dBA
Polarization voltage		200 V
Capacitance at 1 kHz		16 pF
Temperature range, operation		-50 °C to +100 °C
Temperature coefficient		≤ 0.01 dB/K
Static pressure coefficient		-0.00001 dB/Pa
Diameter	without protection grid	12.7 mm \pm 0.05 mm
	with protection grid	13.2 mm \pm 0.05 mm
Length		16.4 mm
Weight		9 g
Preamplifier thread		11.7 mm 60 UNS
Protection grid thread		12.7 mm 60 UNS



Typical frequency response: 1 random incidence, 2 pressure response



Microtech Gefell GmbH · Georg-Neumann-Platz · 07926 Gefell · Germany

Phone +49 (0)36649 882-0 · Fax +49 (0)36649 882-11 · www.microtechgefell.de · info@microtechgefell.de