

GLE/ABA-100-L

Airborne L-band Blade Antennas for Telemetry & Data-Links

Overview

GLE/ABA-100-L is a family of high performance and high temperature, blade antennas for telemetry and data-link applications on civil and military aircrafts.

These antennas, available for LL (1.43-1.54 GHz) and LU (1.71-1.85 GHz) bands, have omni-directional pattern over the entire frequency range. Are also available blade configurations for UHF, S, C, X, Ku and other frequency bands.

Designed as light weight, low profile, low drag antennas are ideally suited for high performance supersonic aircrafts.



Specifications

Electrical

| Frequency | P/N for SMA Connector | P/N for TNC Connector |
|----------------------------------|-----------------------------|-----------------------------|
| 1.43 ÷ 1.54 GHz | GLE/ABA-100-L-1.43-1.54-S-X | GLE/ABA-100-L-1.43-1.54-T-X |
| 1.71 ÷ 1.85 GHz | GLE/ABA-100-L-1.71-1.85-S-X | GLE/ABA-100-L-1.71-1.85-T-X |
| Radiation Pattern / Polarization | Omni-directional / vertical | |
| Antenna Gain | 2 to 5 dB | |
| VSWR | < 2.0:1.0 | |
| Output Impedance | 50 Ω | |
| Power Handling | 300 Watts | |
| DC Grounding | Yes, Lightning Protection | |

Environmental

| | |
|-------------|--------------------------------------|
| Temperature | -65°C to +600°C [-85°F to +1,100° F] |
| Altitude | ≥ 21,000 m [≥70,000 ft.] |
| Vibration | ≥ 30 G's |

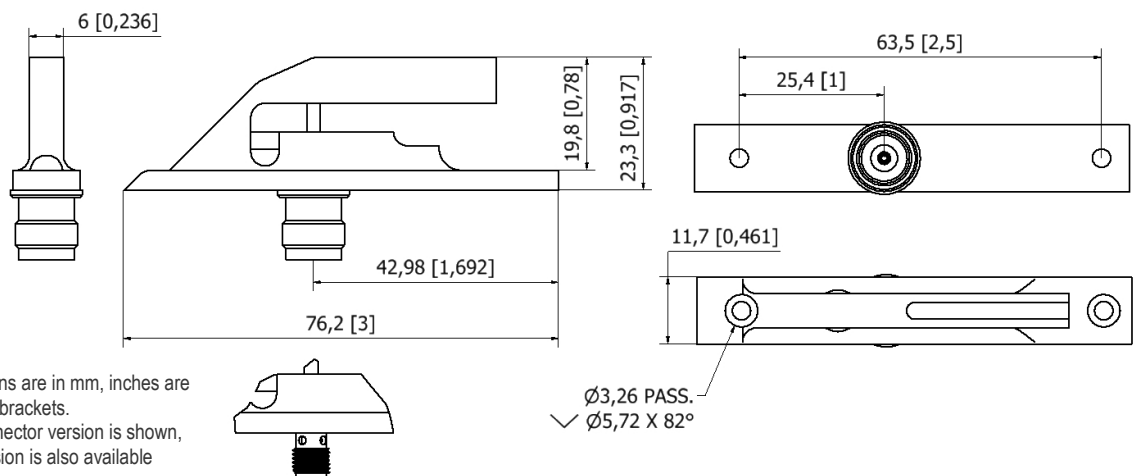
Federal & Military Specifications

| | |
|-----------|---|
| Design to | FAA TSO-C144, DO-160D, DO-228, MIL-C-5541, MIL-E-5400, MIL-I-45208A, MIL-STD-810, AND SAE J1455 |
|-----------|---|

Mechanical

| | | |
|-------------------------|---|-----------------------------|
| Size | Width 11.43 mm [0.45 in.], Length 76.20 mm. [3.00 in], Height 22.99 mm [0.90 in.] | |
| Weight | 22 grams [approx 0.8 oz.] (TNC version) | |
| Finish | Yellow Irite per MIL-C-5541F, Type 1 Class 1A | |
| Material | 6061-T6 Aluminium Alloy Base | |
| Connector | SMA Female or TNC Female | |
| Colour and related P/Ns | Colour | P/N |
| | Gloss White #17925 per FED-STD-595B; | GLE/ABA-100-L-X.XX-X.XX-X-1 |
| | Lusterless Gray #36320 per FED-STD-595B; | GLE/ABA-100-L-X.XX-X.XX-X-2 |
| | Olive Drab Green #34031 per FED-STD-595B; | GLE/ABA-100-L-X.XX-X.XX-X-3 |
| | Lusterless Black #37038 per FED-STD-595B | GLE/ABA-100-L-X.XX-X.XX-X-4 |

Mechanical Drawing



Due to continuous developments, specifications are subject to change without prior notice.

This product is not intended for applications whose its failure to perform can be expected to cause damages to properties and/or persons and/or injury to human life.