

## Sub-Miniature Pressure Sensor



### Features

- ➔ Available with 0,5-4,5Vdc output
- ➔ Operating from -40 to +125°C
- ➔ Ultra light sensor : 3 grams
- ➔ Pressure ranges from -1 to 250bar

### Applications

- ➔ Automotive - on vehicle
- ➔ Machine construction
- ➔ Medical instruments
- ➔ Automation & Robotics

The PST860 series is a miniature pressure sensor. Operating from -40 up to +125°C, three compensated temperature ranges are available to best suit your application's environment. Its wetted parts being stainless steel, it is compatible with most media, including corrosive fluids used in automotive and aerospace industries. High performances and stability over temperature are achieved thanks to EFE proprietary sensing technologies. The robust and proven design of the sensor ensures reliability in your application. The PST860 series is available with unamplified (mV/V) and amplified voltage output (0,5-4,5Vdc), integrating a high performance and ruggedized electronic module.

## Technical specifications

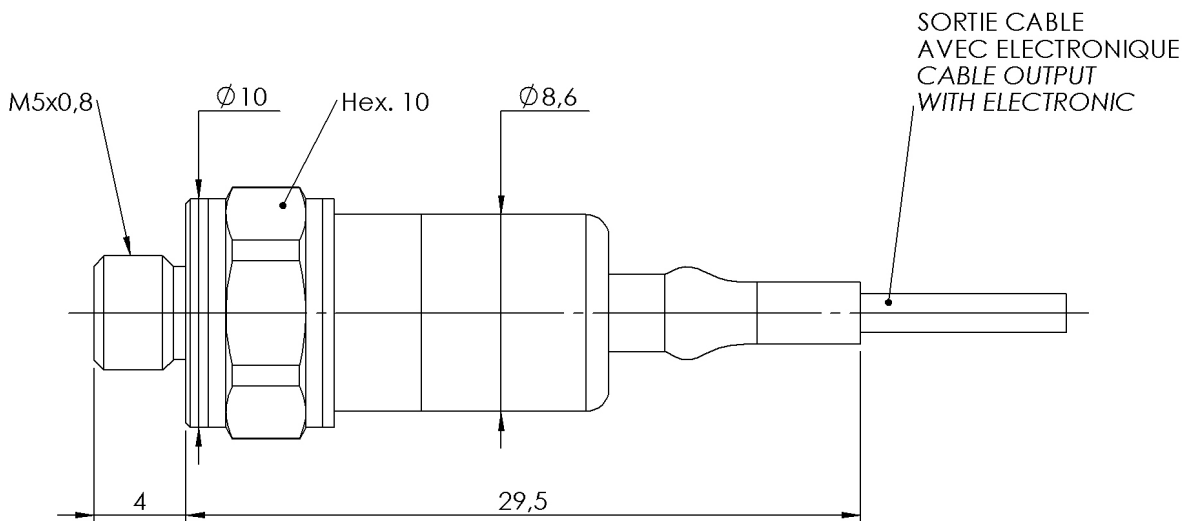
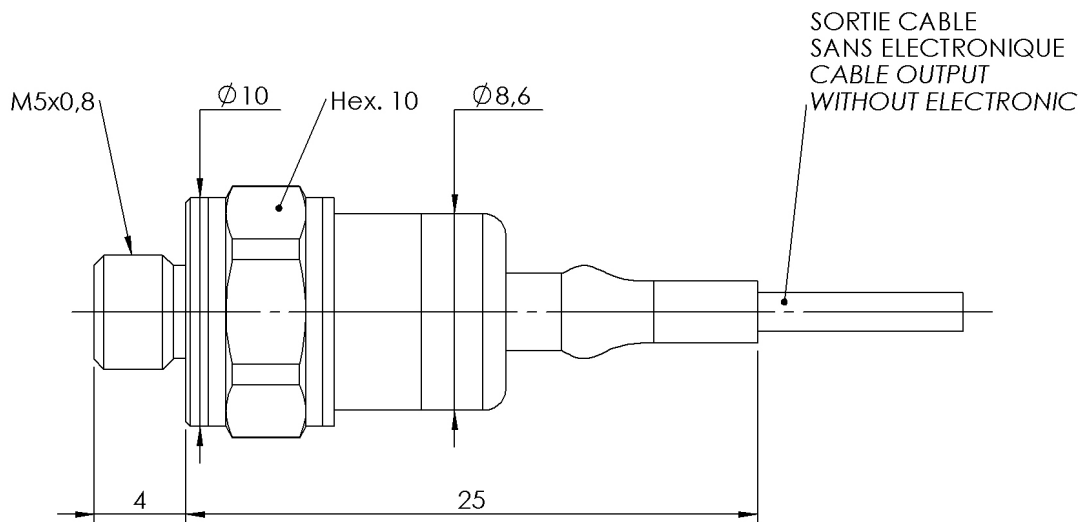
Pressure ranges (FS)	-1/+4bar ; -1/+9bar ; 5bar ; 10bar ; 20bar ; 40bar ; 70bar ; 250bar ; -14.5/+50PSI ; -14.5/+140PSI ; 70PSI ; 150PSI ; 300PSI ; 500PSI ; 1000PSI ; 3000PSI
Type	Absolute ; Gage
Type (for ranges > 40 bar)	Sealed Gage
Safe overload	150% FS
Burst pressure	300% FS
Output impedance	> 3000 Ohms typ.
Input impedance	> 3500 Ohms typ.
Power supply	5 to 15Vdc
Consumption	< 10mA
Insulation	> 1000 MOhms under 50Vdc at ambient temperature
Output at -100%FS (only for ± range)	Proportional to +100%FS
Output at 0%FS	0mV/V

## Technical Specifications

Output at 100%FS	1.5mV/V nom.
Zero and sensitivity settings tolerances	±3% FS
Non linearity and hysteresis combined	±0.25% FS typical (±0.35% FS max.)
Non repeatability	±0.02% FS typ.
Compensated temperature range	0 to +60°C Option : -25 to +85°C ; -25 to +125°C
Operating temperature range	-40 to +125°C
Combined thermal zero & sensitivity shifts	±0.02% FS/°C
Constant acceleration in linear vibrations	± 0.02% FS/g (frequency 20-2000Hz, 50g max.)
Mechanical shock	100g ½ sinus 1ms
Electrical protection	Not protected against polarity inversion
EMC protection	Compliant to EN61000
Electrical connection	AWG32 4 wires Ø1.6mm Shielded Teflon Cable & Polyolefine Sleeve
Mechanical connection	M5x0.8-6g male
Material(s) of wetted parts	Stainless Steel 316L ; Stainless Steel 17-4PH ; Stainless steel 15-5PH
Weight	3g without cable
Enclosure protection	IP65 for sealed gage version

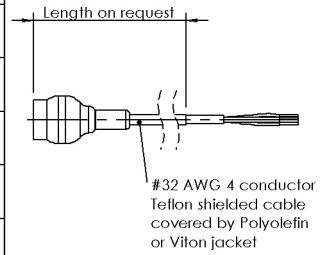
## Codification

Sub-Miniature Pressure Sensor	PST86	1	S	10bar	G	05	17/1m	A	3	1
Output Signal										
	mV/V	1								
Material										
	Stainless Steels		S							
Range										
	Example			10bar						
Type										
	Gage				G					
	Sealed Gage				SG					
Mechanical connection										
	M5x0.8-6g male					05				
Electrical connection										
AWG32 4 wires Ø1.6mm Shielded Teflon Cable & Polyolefine Sleeve							17/1m			
Compensated temperature range										
	0 to +60°C							A		
	-25 to +85°C							B		
	-25 to +125°C							C		
Non linearity and hysteresis combined										
	±0.25% FS typical (±0.35% FS max.)								3	
Combined thermal zero & sensitivity shifts										
	±0.02% FS/°C									1



DIMENSIONS : mm

4 CONDUCTOR TEFLON CABLE	
mV/V OUTPUT	CONDUCTOR
+ EXCITATION	RED
+ SIGNAL	GREEN
- SIGNAL	WHITE
- EXCITATION	BLACK
SENSOR HOUSING	SHIELD



E.F.E.  
 L'ESSOR FRANCAIS ELECTRONIQUE  
 16 Rue Porte a Bateaux - 27540 Ivry-la-Bataille - FRANCE  
 Tel : 33 (0)2 32 22 35 05 - Fax : 33 (0)2 32 36 93 08  
[www.efe-sensor.com](http://www.efe-sensor.com) - [infos@efe-sensor.com](mailto:infos@efe-sensor.com)

Agent :

